

Invacare® Top End® Force™ K Handcycle

Price List and Order Form



262.691.4248 M-F 9 to 5 CST

IDEA

Innovator of Disability Equipment and Adaptations, LLC

Designer, manufacturer and distributor of adaptive sports, recreation and independent living products.

262.691.4248 M-F 9 to 5 CST



INVACARE

Yes, you can.

TOP END®

Date: _____

Name: _____

Address: _____

Phone: _____

Email: _____

TOP END FORCE K HANDCYCLE: KNEEL POSITION

FRCK Top End Force K Kneeler
Complete pages 1, 2, and K1.....\$5,995.00

FRCK Top End Force K Double Amp Kneeler
Complete pages 1, 2, and DA1.....\$5,621.00

FRCK5 Top End Force K with no wheels \$5,396.00
Complete pages 1, 2, and K1 or DA1

CAD Drawings **Standard**

E-mail address and approval required _____

Customer Detail: Height _____ Weight _____ Disability _____

10 SPEED: STANDARD COMPONENTS

SRAM® X9 10 Speed Trigger Shifter, SRAM® Derailleur and 11-36 cassette
Right Handle Mount Shifter and brake lever: Tektro® caliper brakes
Fork mounted locking second brake /SRAM Hollow Pin Chain .. **Standard**

10 SPEED COMPONENT UPGRADES:

Shifter / Brake / Front Wheel Derailleur Package

- XLT 79** SRAM® XX 10 Speed Right Handle Mount Shifter and brake
SRAM® X.X. Derailleur, Hollow Pin Chain, SRAM 11-36 Cassette
Fork mounted locking second brake. \$562.00
- XLT82** SRAM® 11-28 (available with XLT 79 only)..... \$37.00³

UPPER DERAILEUR:

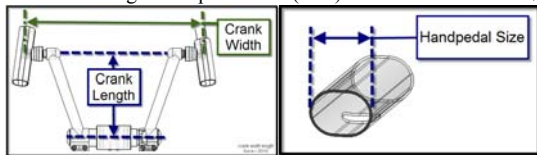
- Thumb shifter activated derailleur**..... **Standard**
- Omit No Charge

CHAIN RINGS:

- 53-39** **Standard**
- 48-39-24 No Charge

HANDPEDALS:

- Power Plates** **Standard**
- Medium Handpedal Size (1¾")** **Standard**
- XLT72** Small Handpedal Size (1½").....\$56.00
- XLT73** Large Handpedal Size (2¼").....\$56.00



CRANK ARMS: Tapered V Crank (choose length and width)

NOTE: If not chosen, standard 220mm x 18" will be shipped

Length (mm): 180mm 190mm 200mm 210mm
 220mm (std) 230mm 240mm

Width (inches): 14" 16" **18" (std)** 20" 22"

- XLT46** Extra crank arms: Length _____ Width _____ \$150.00

PERFORMANCE UPGRADE:

- XLT60*** SRM® Training System Triple (3 chainrings)... \$2,437.00¹
- XLT92*** SRM Training System Compact (2 chainrings)\$2,437.00¹

CAMBER: (choose one) 3° 6° 9° 11°

WHEELS (Threaded Axle Only)

26" High performance wheels with high pressure clincher tires:... Standard

- XLT62** 700C High Performance wheels (clincher): \$281.00

PERFORMANCE WHEEL UPGRADE: (does not include standard wheels)

- XLT75** 26" Top End Carbon (tubular)..... \$1762.00
- XLT 78** 26" Top End/Spinergy® Carbon (clincher) \$1,350.00
- XLT67** 26" Corima® AERO Carbon (tubular)..... \$2250.00
- XLT77** Time Trial Package: (tubular only)
Front Wheel: 26" Corima® AERO Carbon
Rear Wheels: 26" Corima Disc \$2437.00
- XLT107** 700C Corima AERO Carbon (tubular).....\$2625.00

TIRE UPGRADE: (26" Wheel size only)

- XLT51** Continental® Grand Prix 4000 (clincher)..... \$101.00
- XLT52** Continental® Sprinter (tubular).....\$94.00

SAFETY & COMFORT OPTIONS

Seat and Back Cushions..... **Standard**
Chain Guard..... **Standard**
Safety Flag **Standard**

- XLT84** Crank width adaptor set (adds 1.5" per set) \$15.00
- XLT71** Tool and Tire Repair Kit \$67.00
- XLT12** Mirror/Leg Rest Mount..... \$22.00
- XLT13** Water Bottle & Cage \$26.00
- XLT28** Backpack Hydration System \$75.00
- XLT141** Heart Rate Monitor.....\$75.00
- XLT14** Cordless Computer.....
- 125.00** **XLT15** **Handset size** \$56.00

Small/ Medium Medium/Large

- XLT16** Extra Safety Flag \$22.00
- XLT6** Front Safety..... Light.....
- \$19.00** **XLT7** Rear Flashing Light \$19.00

- XLT33** Alignment \$56.00
- XLT20*** Bike Rack for Trailer Hitch: Choose size \$337.00

1 1/4" 2"

- XLT14** **Front Steering Damper**..... \$10.00
- XLT87*** LeMond® Revolution™ Trainer w/o power meter \$694.00
- RACE70*** LeMond Training Roller Cassette 11-36.....\$37.00
- XLT42** Indoor Stationary Trainer \$187.00
- XLT97*** SportCrafters Mini-Roller Trainer..... \$262.00

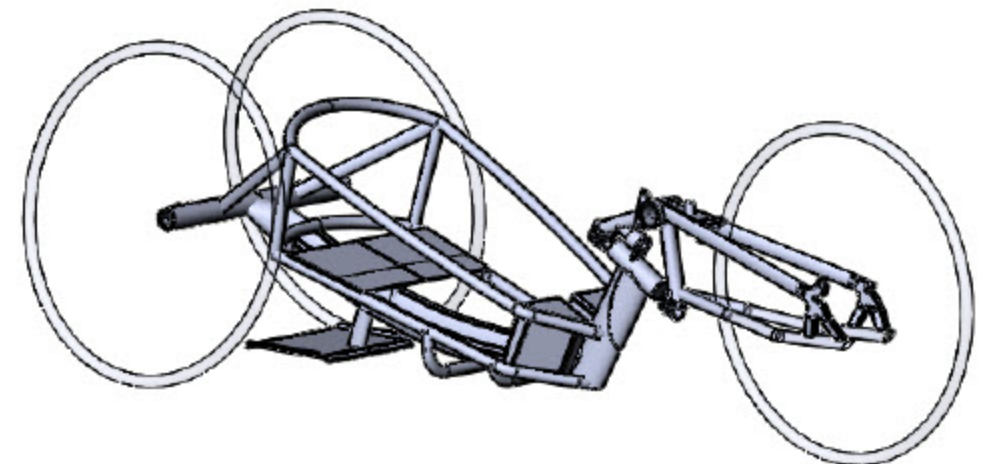
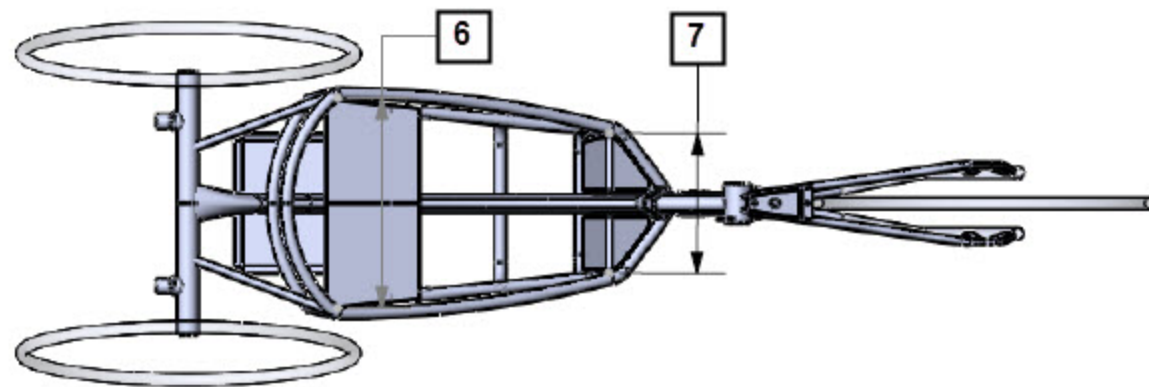
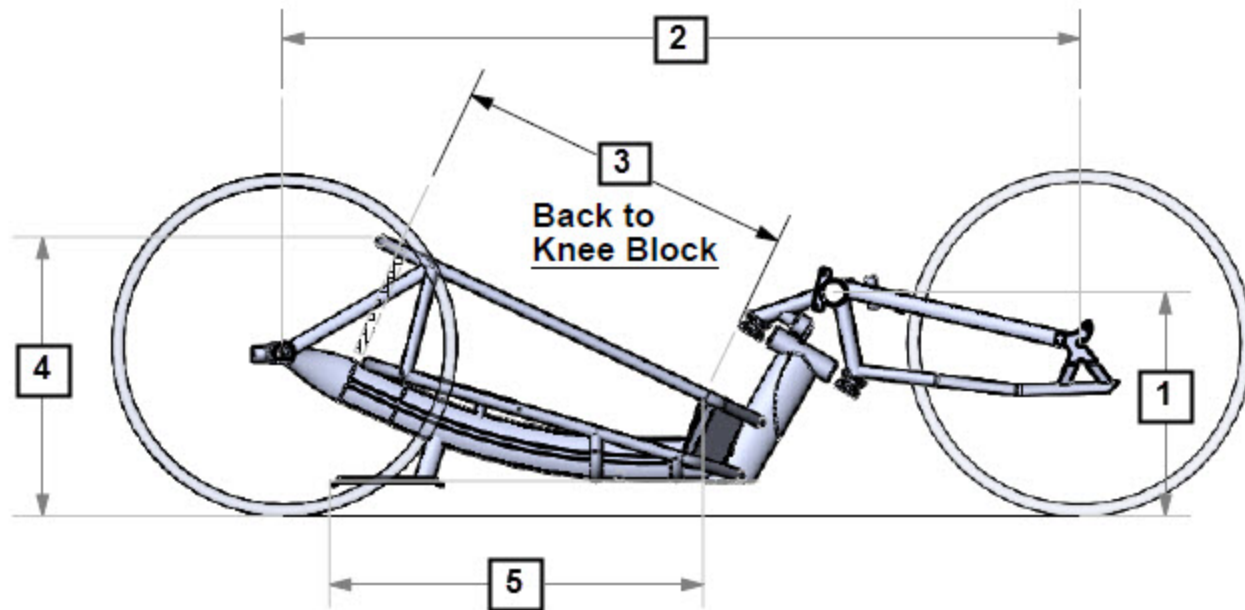
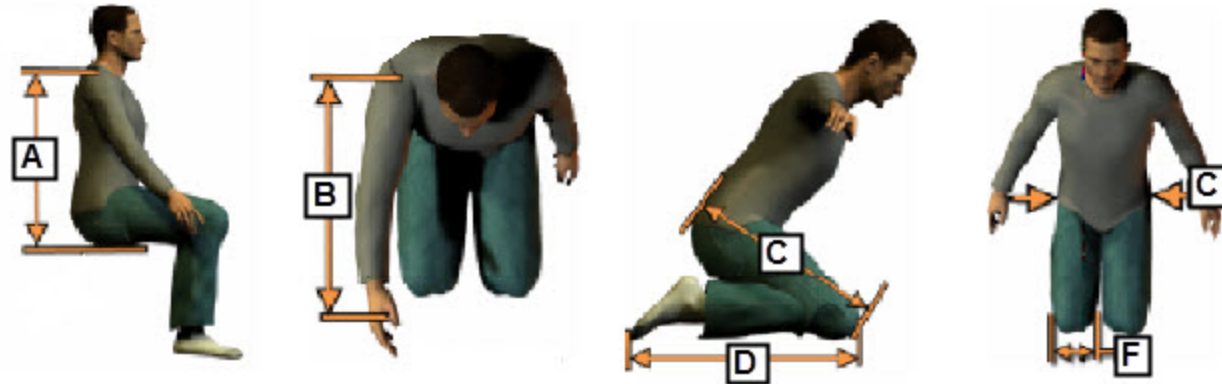
FOOTNOTES

¹ SRM® Power Meter is a state of the art measuring tool. Only available as compact with 2 chainrings, no small ring. Visit SRM.de for more details. Standard discount does not apply.

Shipping in the continental USA \$135.00 US.
International shipping will be calculated per order.

Invacare® Top End®

Force K Handcycle (K1) Kneeler



1. Crank Height: 15" 16" (Standard) 17"
2. Wheel Base: 57" (Standard) Other _____
3. Backrest to Knee Block:

<input type="checkbox"/> Adjustable Upholstery (Standard): <input type="checkbox"/> 20.5" - 23.0" (Athlete Height 5'2"-6'2") <input type="checkbox"/> 18.0" - 20.5" (Short) <input type="checkbox"/> 23.0" - 25.5" (Long)	<input type="checkbox"/> Fixed Elite: _____ (Help: C+2 = Typical)
--	--
4. Backrest Height: 20" (Standard) Other _____
5. Footrest to Knee Block: _____ (Help: 'D' = Typical)
6. Seat Width: _____ (18" Maximum) (Help: 'E' = Typical)
7. Knee Width: _____ (Help: 'F' + 1/2" = Typical)



Invacare® Top End®

Force K Handcycle (DA1) Double Amputee

1. Crank Height: 15" 16" (Standard) 17"
2. Wheel Base: 57" (Standard) Other _____
3. Backrest to Crank:

<input type="checkbox"/> Adjustable Upholstery (Standard)	<input type="checkbox"/> Fixed Elite: _____
<input type="checkbox"/> 26.5" - 29.0" (Athlete Height 5'2"-6'2")	
<input type="checkbox"/> 24.0" - 26.5" (Short)	
<input type="checkbox"/> 29.0" - 31.5" (Long)	
4. Back Height: 18" (Standard) Other _____
5. Rear Seat Height: 7" 8" (standard) 9"
6. Seat Width: _____ (18" Maximum) (Help: 'E' = Typical)
7. Knee Width: _____ (Help: 'F' + 1" = Typical)

