

Top End® T-5™ 7000 Series Tennis Chair

Price List and Order Form



262.691.4248 M-F 9 to 5 CST

IDEA

Innovator of Disability Equipment and Adaptations, LLC
Designer, manufacturer and distributor of adaptive sports, recreation and independent living products.

262.691.4248 M-F 9 to 5 CST

Date: _____

Name: _____

Address: _____

Phone: _____

Email: _____

- T57** Top End T-5 7000 Series Tennis Chair \$2,379.00
- TER61** Heavy Duty Option (weight limit 350lbs) \$375.00

- 1. SEAT WIDTH** 12" 12.5" 13" 13.5" 14" 14.5" 15" 15.5"
16" 16.5" 17" 17.5" 18" 18.5" 19" 19.5" 20" 20.5" 21"
 TER1 Tapered seat width (maximum difference = 4") \$94.00

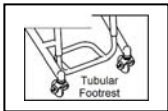
Rear Seat Width: _____ Front Seat Width: _____

- 2. SEAT DEPTH** (Upholstery): 12" 13" 14" 15" 16" 17" 18" 19"

- 3. EXTRA FRAME DEPTH:** Standard = 0": 1" 1½" 2"

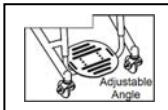
4. FOOTREST OPTIONS: (CHOOSE ONLY ONE FOOTREST)

Standard: Tubular Footrest (adjustable height)



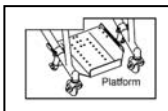
- Footrest Width:** _____ Standard = Seat Width minus (-) 6"
Footrest Height: (Top) to Floor: _____ Range: 1.0" - 5.5"
Front Frame Angle: 80° 85° 90° 100°
 TER10 Plastic footrest cover \$56.00
 TER89 Carbon fiber footrest cover \$94.00
 TER124 Click Strap upgrade \$56.00

- TER86** Adjustable Angle Footplate (adj. ht. and angle) ... \$94.00



- Footrest Width:** _____ Standard = Seat Width minus (-) 6"
Footrest Height: (Top) to Floor: _____ Range: 1.0" - 5.5"
 with risers 2" 4" (for desired Footrest Heights over 5.5")
Front Frame Angle: 80° 85° 90° 100°
 TER124 Click Strap upgrade \$56.00
 TER127 Toe Clips \$45.00

- TER187** Platform Footrest \$150.00

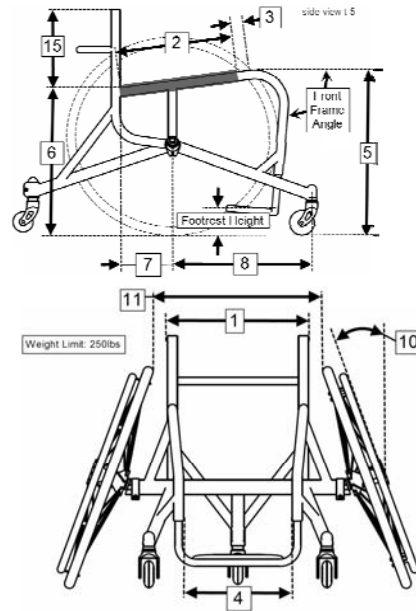


- (Adjustable Height, Forward/Rearward, and Angle)
 Platform Plate -or- Oval Plate
 TER124 Click Strap upgrade \$56.00

- 5. SEAT HEIGHT FRONT:** 14.5" 15" 15.5" 16" 16.5" 17"
17.5" 18" 18.5" 19" 19.5" 20" 20.5" 21"

- 6. SEAT HEIGHT REAR:** 14.5" 15" 15.5" 16" 16.5" 17"
17.5" 18" 18.5" 19" 19.5" 20" 20.5" 21"

- TER31** Solid Seat w/ welded rigidizer bars for aluminum..... \$131.00



7. CENTER OF GRAVITY: FIXED OR ADJUSTABLE (see 7B-page 2)

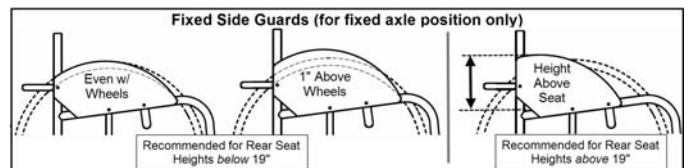
7A. FIXED CENTER OF GRAVITY: AXLE POSITION.....Standard

- Select Fixed Center of Gravity Position:**
3" 3.5" 4" 4.5" 5" 5.5" 6" Other _____

SIDE GUARDS OPTIONS FOR FIXED COG:

- TER95** Clamp-On Fixed aluminum side guards \$94.00
- TER20** Fixed aluminum side guards \$131.00
 Even w/wheels 1" Above wheels Height above seat ____ (6" std)
- TER83** Fixed carbon fiber side guards \$187.00
 Even w/wheels 1" Above wheels Height above seat ____ (6" std)
(Compatible with TER1 Tapered Seat, see item #1)
- TER130** Welded aluminum tube side guards w/ \$450.00
welded aluminum panel
 Even w/wheels 1" Above wheels Height above seat ____ (6" std)

NOTE: for tall seat heights choose height above seat
(Standard Distance, inside-to-inside, between welded tubes = Seat Width)



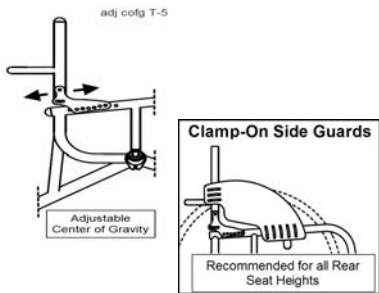
Shipping in the continental USA \$50.00 US.
International shipping will be calculated per order.

Top End® T-5™ Tennis Elite Chair

- 7B. ADJUSTABLE CENTER OF GRAVITY OPTION.....No Charge**
 Adjustable Center of Gravity Range (choose one) : 2" to 4" 3" to 5" 4" to 6"
 (Adj. Center of Gravity Backrest is made of 6061 Aluminum and is bolted to the frame/recommended range is 3"-5")

SIDE GUARDS FOR ADJUSTABLE CENTER OF GRAVITY:

- TER95** Clamp-On Fixed aluminum side guards..... \$94.00



Wheel Base Guide			
Seat Depth	14"	15", 16"	17", 18"
Recommended Wheel Base	15" (Short)	17" (Med)	19" (Long)

wheel base guide

- 8. WHEEL BASE:** 15" 16" 17" 18" 19" Other _____

9. ANTI-TIP/5TH WHEEL: Choose one:

- Fixed** **Standard**
 Omit No Charge
 TER102 Telescoping..... \$150.00

- 10. CAMBER:** 12° 15° 18° 20°std. (if not chosen, 20 is default)

11. TIRE-TO-TIRE DISTANCE (measured at inside, top of tire):

- Standard (i.e. Seat Width + 2.5" = 17.5") Custom _____

- 12. WHEEL TYPE: Build for:** Standard or Spinergy

- 13. WHEEL SIZE:** 24"(540) 25"(559) 26"(590) 700C

Wheel Size Guide				
Rear Seat Height	16.0" or less	16.5" - 19.0"	19.0" - 21.0"	20"+
Recommended Wheel Size	24"(540)	25"(559)	26"(590)	700c

wheel size guide

14. WHEELS/AXLES/TIRES/PUSHRIMS:

Sun® High Performance Wheels..... Standard

- TER131** Spinergy SLX (4mm) upgrade (24 spokes)..... \$671.00

Spoke color: (choose one) Black Yellow White Blue Red
 (If color is not chosen, spokes will be black)

- TER143** Sun® Equalizer Sport Wheel Upgrade
 (48 spoke, cross lacing pattern with 12 tab pushrims for 25", 26" & 700C)
 (36 spoke, cross lacing pattern with 6 tab pushrim for 24")..... \$187.00

TIRES:

Primo high pressure clincher **Standard**

- TER101** Kenda® Tires: Red or Yellow \$56.00

AXLES:

Quick release **Standard**

- TER76** Titanium axles..... \$112.00
 TED27 Quad Release Axles..... \$94.00

PUSHRIM UPGRADES, (Standard = hard anodized aluminum)

Standard mount **Standard**

- Close mount NC
 TER40 Cut Tabs Aluminum pushrim (close mount only)..... \$30.00
 TERT140 Cut Tabs Titanium pushrim (close mount only)..... \$60.00
 TER75 Titanium pushrims upgrade \$450.00
 TER08 Coated Pushrims..... \$75.00

16. BACK HEIGHT (choose fixed or adjustable):

Fixed Height: 8" 8.5" 9" 9.5" 10" 10.5" 11" 11.5"
 12" 12.5" 13" 13.5" 14" 14.5" 15" 15.5"

Adjustable Height Range:

Short 9" to 11" Low 10" to 14" Med 14" to 18"

SAFETY AND COMFORT OPTIONS:

- Calf Strap** **Standard**
 TER14 Cushion, soft 2" 3" \$56.00
 TER21 Spoke Guards: Black or Clear \$56.00
 (If color not chosen, black will be sent)
 TER37 Fram pre otectors – front \$30.00
 TER35 Frame protector – rear \$15.00
 XLT33 Alignment gauge \$56.00
 TER126 Click strap large (pad length ~12")..... \$64.00
 TER125 Click strap medium (pad length ~10")..... \$60.00
 TER124 Click strap small (pad length ~8")..... \$56.00
 TER128 Metal O-Ring positioning belt..... \$45.00
 RACE22* Top End T-Shirt, L XL 10.00
 * No discount item.

UPHOLSTERY:

- Adjustable Tension Seat Upholstery** **Standard**
Adjustable Tension Back Upholstery **Standard**
 TER149 Back upholstery upgrade: 3" leather flap with Aluminum plugs..... \$75.00

UPHOLSTERY COLOR:

- Black**..... **Standard**
 UPH1 Woodland Camouflage..... \$75.00
 UPH2 Digital Desert Camouflage..... \$75.00

FRAME COLORS:

CONTEMPORARY COLORS

- Wet Black White Snow Silver Metallic
 Stealth Black

WAY COOL COLORS

- Royal Blue Midnight Blue Grasshopper Green
 Electric Blueberry

TOO HOT COLORS

- Tangerine Red Raspberry Red Grape Madness
 Safety Yellow Orange Bubblegum Pink

NO PAINT OPTION

- Buffed Aluminum (Raw)

CAD drawings are computer aided designs that translate the measurements to a 3D preview. Our experienced draftsman completes each CAD request and will e-mail for final approval. The charge for RACE101 is \$125 with standard order form selections, RACE102 is \$175 including 1 custom request and RACE103 is \$225 including 2 custom requests. A separate purchase order is required to begin a CAD and another purchase order is needed to order the product.



Invacare Corporation
TOP END
 Sports and Recreation Products
 4501 63rd Circle North
 Pinellas Park, FL USA
 33781-5914

www.invacare.com

All rights reserved. Trademarks are identified by the symbols ™ and ®. All trademarks are owned by or licensed to Invacare Corporation unless otherwise noted.
 Spinergy is a registered trademark of Spinergy, Inc. Sun is a registered trademark of Sun Components Inc.
 Kenda is a registered trademark of Kenda Rubber Industrial Co. Ltd.
 Specifications and prices are subject to change without notification.
 ©2015 Invacare Corporation